



Instruction Manual for
2035 Handgun

Important Operating Instructions for:

Inglis 2035

**Please use the space below to record your
firearm's information:**

Model: _____

Serial Number: _____

Date of Purchase: _____

CONTENTS

PAGE

Firearms Safety Rules_____	5
General Description and Operation_____	10
Serial Number_____	10
Operation of Safety_____	10
Slide Stop_____	12
Ammunition_____	13
Magazine_____	13
Loading_____	13
Firing_____	15
Unloading_____	16
Sight Adjustment_____	16
Disassembly_____	17
Reassembly_____	18
Exploded View_____	19
Parts List_____	20
Warranty & Service_____	22

Firearm Safety

**WARNING: YOU ARE RESPONSIBLE FOR
FIRE-ARM SAFETY AND THE HANDLING OF
YOUR FIREARM:**

**FAILURE TO FOLLOW INSTRUCTIONS
IN THIS MANUAL COULD RESULT IN
SERIOUS INJURY OR DEATH:**

As a responsible gun owner, it is your responsibility to always ensure safe and proper firearm handling. Careless or abusive handling of any firearm could result in injury or even death. Please take the time to read the following firearm safety rules.

Firearm Safety Rules:

1. Always keep the muzzle pointed in a safe direction even if you are certain the firearm is unloaded.

Never point your firearm at anything you do not intend to shoot. Be alert and aware of all persons and property within the range of your ammunition.

2. Never rely solely on your firearm's mechanical safety device. Like anything mechanical, it can fail.

Firearm's safety describes a mechanism that is used to block the trigger from being pulled reward. The safety mechanism also describes the device located in the slide that prevents the firing pin from striking the primer until the trigger is pulled. These are mechanical devices and as such can fail.

3. Whenever you handle your firearm, always ensure that it is unloaded and free of ammunition.

Make certain that the firearm does not inadvertently contain any ammunition. Remember, just removing the magazine does not ensure that the firearm is unloaded. You must always follow the procedure outlined in this manual to ensure that your firearm is completely unloaded .

Safety Rules Continued:

4. Always wear eye and ear protection when firing your Inglis 2035

Firearms produce a loud muzzle report and produce debris when firing. For your safety and the safety of those shooting with you, ensure that you and your party are always wearing ear and eye protection.

5. Keep Firearm unloaded during transport to and from the range.

6. Store your firearm and ammunition separately, well beyond the reach of children.

Always take preventive action to keep your firearm out of the reach of children or untrained individuals. Store your firearm in a secure or locked case. Keep your firearm unloaded when not in use.

7. Beware of barrel obstructions.

Mud, snow, and an infinite variety of other objects may inadvertently lodge in a barrel bore. It only takes a small obstruction to cause dangerously increased pressures that can damage your firearm and cause serious injury to yourself or others around you.

8. Always ensure you are using factory ammunition.

Always ensure you are using factory loaded SAAMI approved 9mm ammunition in your Inglis 2035.

9. Always avoid alcohol and drugs while handling and operating your firearm.

Your vision, motor skills, and judgment could be dangerously impaired, making you unsafe to handle firearms.

10. Read all warnings in this owner's manual, on ammunition boxes, and with all accessories that you install on your firearm.

By reading all warnings on your firearm and accessories, you can ensure that you are properly and safely operating your firearm at all times.

Anatomy of your 2035



General Description and Operation

The Inglis Hi Power is a recoil-operated, single action, auto loading pistol. When put into a loaded condition consisting of a round in the chamber, the safety in the off position, and the trigger pulled to the rear, the firearm will fire. The exception to this is state specific models that demonstrate a magazine disconnect safety. Once the final round is expended from the magazine, the slide will stay locked to the rear until the slide stop is released or a loaded magazine is inserted and the slide stop is released.

Serial Number:

The serial number of your firearm is on the ejection port side of your firearm, on the frame.

Operation of the Safety:

All models of the 2035 feature a safety on the non-ejection port side of the firearm, and some also have a safety on the ejection port side of the firearm as well. When these lever (s) are in the up position on a closed slide, the firearm safety is engaged and the trigger cannot be pulled to the rear. The safety lever is also used in the assembly of the Hi Power. Please consult the diagrams on the following page.

Safety Engaged



Safety Disengaged



Slide Stop Operation

The slide stop is located on the left side of the pistol. With an empty magazine inserted, the slide can be "locked" to the rear by grasping the serrations on the rear of the slide and drawing the slide fully rearward until the slide stop automatically moves upward into the recess in the slide. (If an empty magazine is not inserted, the slide stop must be manually pushed upward into its recess in the slide.) After the last shot has been fired from the magazine the slide will lock forward. This position allows one to easily visually and physical inspect the chamber.

To close the slide, be certain the safety lever is in the off position and your fingers are away from the ejection port and trigger. With the muzzle of the pistol pointed in a safe direction, simply depress the slide stop located on the left side of the frame.



Ammunition

We recommend using only factory ammunition loaded to SAAMI specifications in your Inglis Hi Power. Failure to use quality ammunition could lead to premature wear or catastrophic failure in your firearm.

Magazines

Your Inglis Hi Power (2035) is designed to work with commercially available magazines designed for the Hi Power series of firearm and that are designed for 9mm ammunition.

Loading

When loading your 2035 always keep the muzzle pointed in a safe direction, and the slide locked to the rear.

To load your Inglis 2035 release the magazine from the firearm by depressing the magazine release on the non ejection port side of the firearm.



Loading Continued:



Once the desired number of rounds are loaded into the magazine you can load the firearm with the slide open or closed.

Loading with the slide open:

With the slide locked to the rear, and the firearm pointed in a safe direction, insert the magazine into the firearm and depress the slide stop to allow the slide to close and chamber a round. If you do not intend to shoot immediately remember to engage the safety and keep the firearm pointed in a safe direction until you are ready to fire.

Loading with the slide closed:

Point your firearm in a safe direction, and insert the magazine into the firearm. When you are ready to chamber a round, firmly grasp the slide and rack it by pulling it fully rearward and letting it go. You have now chambered a round.

Firing:

1. Load the firearm as described in the previous section.
2. With a round in the chamber and the hammer in the fully rearward position, grasp the pistol with your firing grip and point it at your target.
3. When ready to fire, disengage the safety as explained in the previous section.
4. Depress the trigger and the pistol will fire. The slide will move rearward, eject the fired **cartridge**, and move forward to re-chamber a round. You can continue to pull the trigger until all rounds are expended from the magazine.
5. After you have fired all the rounds in your pistol, the slide will lock to the rear indicating that you are out of ammunition.
6. After the slide locks to the rearward position, you may press the magazine release to release the empty magazine.
7. You may now insert another magazine, following the instructions above for loading with the slide locked back, and repeat the process.

Should you wish to stop firing at any point during shooting, place the firearm on safe and remove the magazine. Then disengage the safety and take care to keep your finger off the trigger. Firmly pull the slide back to eject the live round out of the firearm. Lock the slide to the rear and your pistol is now safely unloaded.

Unloading:

1. Press the magazine release to remove the magazine.
2. Pull the slide to the rear and eject the cartridge in the chamber. Then lock the slide to the rear by engaging the slide stop.
3. Visibly and physical inspect the chamber to ensure that there is no live ammunition in the chamber.

Your pistol is now unloaded.

Sight Adjustment:

The 2035 models feature fixed sights, but the rear is adjustable for windage. To adjust the rear sight for windage, simply take a small punch and tap with a small hammer to adjust to your desired windage. Drift the rear sight in the direction you want the rounds to move.



Disassembly:

The procedure for disassembly is as follows:

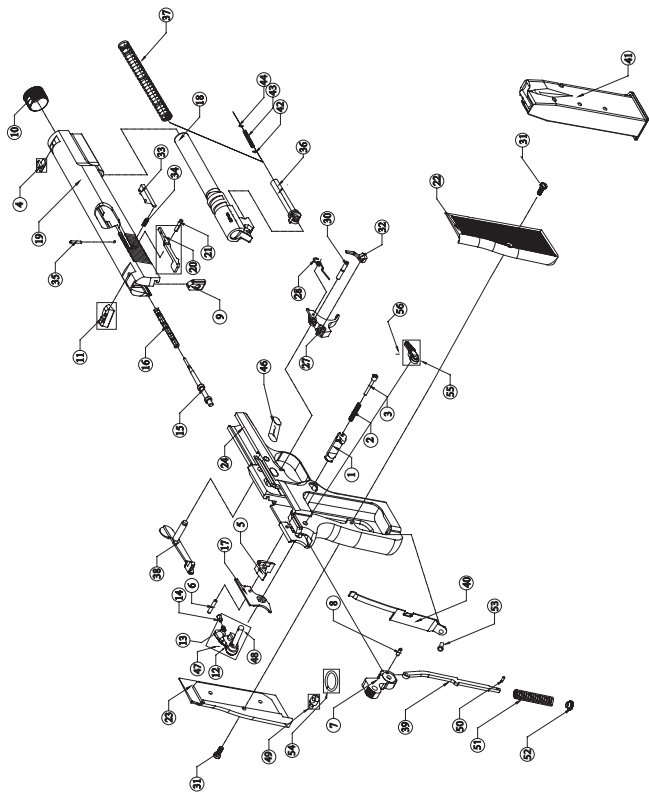
1. Remove the magazine.
2. Lock the slide to the rear.
3. Visually and physically inspect the chamber to ensure there is no ammunition in the 2035.
4. Use the safety to lock the slide to the rear at the disassembly notch.
5. Remove the slide stop by pressing from the ejection port side of the firearm and pulling the slide stop from the firearm.
6. Grasp the slide firmly with the left hand and disengage the safety with the right. The slide will now slide forward and off the frame.
7. Separate the two halves of the firearm and turn the slide over so that you are looking at the bottom of the slide and can see the recoil spring.
8. Firmly grasp the recoil spring and pull it towards the muzzle, while tilting it upward, freeing it from the barrel assembly, and set it to the side.
9. Grasp the barrel and slide it toward the muzzle end of the slide and tilt it upwards. Pull the barrel towards the rear of the slide and remove it from the slide assembly.
10. This completes the basic disassembly of your 2035.

Reassembly:

The procedure for reassembly is simply the disassembly procedure in reverse:

1. Insert the barrel into the slide by putting the muzzle end of the barrel through the **bushing** on the slide.
2. Grasp the recoil spring and slide it into its place in the slide. Put forward pressure on the spring and guide rod until the male end of the spring engages with the female slot in the barrel.
3. Flip the slide over and place on the frame. Firmly grasp slide and **pull to the rear** and lock in place with the safety **engaged in the disassembly notch**.
4. Place slide stop into the frame and line up with hole on slide.
5. Depress the safety and allow the slide to go forward.
6. Perform a basic function test by retracting slide, locking it to the rear, and letting the slide go forward.
7. You have now successfully reassembled your 2035.

For a detailed video of assembly and disassembly please visit inglismfg.com



1. MAGAZINE CATCH
2. MAGAZINE CATCH SPRING
3. MAGAZINE CATCH SPRING GUIDE
4. FRONT SIGHT
5. SEAR
6. SEAR PIN
7. HAMMER
8. HAMMER PIN
9. FIRING PIN RETAINER PLATE
10. BARREL BUSHING
11. REAR SIGHT
12. SAFETY CATCH
13. STUD SPRING
14. STUD
15. FIRING PIN
16. FIRING PIN SPRING
17. EJECTOR
18. BARREL
19. SLIDE
20. SEAR LEVER
21. SEAR LEVER PIN
22. RIGHT GRIP
23. LEFT GRIP
24. FRAME
25. MAGAZINE SAFETY
26. MAGAZINE SAFETY SPRING
27. TRIGGER
28. TRIGGER SPRING
29. MAGAZINE SAFETY PIN
30. TRIGGER PIN
31. GRIP SCREW
32. TRIGGER LEVER
33. EXTRACTOR
34. EXTRACTOR SPRING
35. EXTRACTOR PIN
36. RECOIL SPRING GUIDE
37. RECOIL SPRING
38. SLIDE STOP
39. HAMMER STRUT
40. SEAR SPRING
42. DETENT BALL
43. DETENT BALL SPRING
44. SPRING RETAINER
45. REAR SIGHT SCREW
46. LOCKING PIECE
47. SAFETY PIN
48. SAFETY BODY PIN
49. BASE LANYARD LOOP
50. HAMMER STRUT PIN
51. HAMMER SPRING
52. HAMMER SPRING SUPPORT
53. SEAR SPRING RIVET
54. RING LANYARD LOOP
55. SAFETY LEVER
56. SAFETY LEVER PIN

Warranty:



At Inglis, we believe in the quality of our firearms, and we want you to as well. Age & wear cannot be covered under warranty as the mechanical parts and materials that make up firearms eventually wear out. However, defective parts, materials, and workmanship are not acceptable, and we will stand behind our products. We warrant our firearms to be free from defects in performance and workmanship for five years from the date of purchase. If you have a problem that is directly attributable to the quality of our product, it's on us to make it right, shipping and handling included. However, if you abuse, improperly maintain, or alter the internal workings of your Inglis firearm in any way, we will not warrant damage that occurs. Likewise, if you use improper or incompatible ammunition or parts, we will not warrant damage that occurs. That includes altering a serial number.

If you have a problem with your firearm, please contact

Inglis directly at (865) 604-6894 or

info@inglismfg.com

Copyright Inglis MFG 2024
SDS Imports
114 Sherlake Lane Knoxville
TN 37922